

10L2w Transducer

The 10L2w broadband, linear array transducer is ideal for peripheral vessel (vascular) imaging.

- Broad bandwidth gives excellent image quality
- Activate the transducer and freeze, store and print images with one press of the integrated Smart™ button
- Ergonomic design improves operator comfort
- Advanced transducer connector designed for noise reduction in the ultrasound image and one-handed operation
- Perform quick, reliable puncture and biopsy procedures with our reusable needle guide
- Unique, fully-immersible transducer for easy sterilization



Fig. 1 10L2w transducer

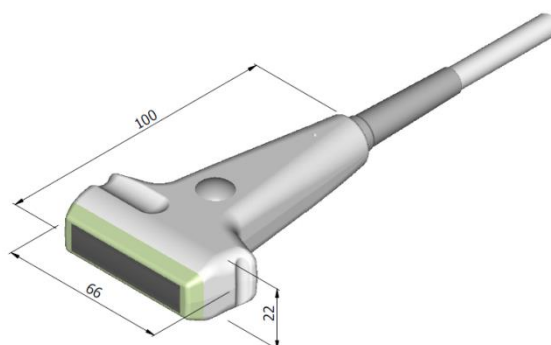


Fig. 2 Technical drawing and dimensions (mm)

Specifications

Transducer Name		10L2w
Transducer Reference Type		9022
Compatible Ultrasound Systems		bk3000, bk3500, bk5000 ¹
Applications (Typical)		Peripheral Vessel (vascular)
Basic Imaging Modes²		B, M, CFM, Doppler, Tissue Harmonic Imaging, Elastography, VFI ³
Weight (Approximate)	g	98
Acoustic Aperture	mm	46 x 7
Contact Surface (Overall)	mm	57 x 10
Number of Elements		192
Transverse Focal Length (Typical)	mm	35
Image Plane Focal Length	mm	Variable
Image Field		Trapezoidal: 46 mm wide + expansion angle 2 x 15°
Focal Range	mm	10 - 60
Frame Rate (Max)	Hz	>200

¹ Use of 10L2w on the bk5000 has not been licensed by Health Canada.

² Not all systems support all imaging modes.

³ VFI on the bk3000, bk3500 and bk5000 has not been licensed by Health Canada.

Specifications

<p>OPERATIONAL FACILITIES Built-in control button</p> <p>SAFETY Designed and tested in accordance with current version of EN60601-1 (IEC60601-1) "Medical Electrical Equipment, Part 1". When used with BK Medical's systems, Type BF requirements are met.</p> <p>ENVIRONMENTAL Operating Pressure: 700–1060 hPa (normal atmospheric pressure) Operating Temperature: +10 to +40 °C (+50 to +104 °F) Storage Temperature: -25 to +70 °C (-13 to +158 °F)</p> <p>REPROCESSING</p> <ul style="list-style-type: none"> • The reprocessing temperature should not exceed +60 °C. • Complete details and procedures can be found in <i>Care and Cleaning</i>. • Follow manufacturer's instructions for use. 	<p>VALIDATED CLEANING AND DISINFECTION For all cleaning and disinfection methods except wiping, plug must be covered.</p> <p>Manual Cleaning 3E-Zyme™</p> <p>Manual Disinfection Ethanol 70% (wiping) Korsolex® Basic Steris® Resert Tristel® Fuse For Instruments</p> <p>Automatic Disinfection¹ MEDIVATORS® Advantage® Plus, with: <ul style="list-style-type: none"> • MEDIVATORS Intercept® Detergent • MEDIVATORS Rapicide® PA • 70% Isopropanol Flush </p> <p>VALIDATED STERILIZATION¹ Immersion Methods (plug must be covered) STERIS® SYSTEM 1^{®2}, SYSTEM 1E®, SYSTEM 1 Plus², SYSTEM 1 Express</p> <p>Gas Processes (plug must be uncovered) STERIS® V-Pro™ STERRAD NX™ and 100NX Systems STERRAD 100S and 200 Systems</p>	<p>POWER SUPPLY Internally from system</p> <p>CABLE LENGTH 2.2 m (7.3 ft)</p> <p>¹ Automated reprocessing methods validated for 100 cycles. ² STERIS SYSTEM 1® is not market cleared in the USA.</p>
---	--	--

Ordering Information

<p>ACCESSORIES AVAILABLE</p> <p>KE4300: Carrying Case</p> <p>UA1414: Leakage Testing Kit</p> <p>UA1239: Reusable Needle Guide. Bore diameter up to 2.1 mm; angle of insertion 30°, 45° and 60° to the image axis. Reusable</p>	<p>TRANSDUCER COVERS</p> <p>UA0007: Sterile, latex-free, 14 x 61 cm, (pack of 24)</p> <p>UA0004: Cable covers, sterile, latex-free, 7.6 x 244 cm (pack of 24)</p> <p>UA0070: CIV-Flex™ sterile, latex-free, 14 x 91.5 cm, telescopically-folded (pack of 24)</p> <p>UA0074: Surgi-Tip™ cover, sterile, latex-free, 20.3 x 244 cm, telescopically-folded with attached 6 cm NeoGuard tip (pack of 12)</p>	
---	---	--

Accessories


Reusable Needle Guide UA1239



- **Dimensions:** 38 x 25 x 100 mm
- **Weight:** 60 g
- **Materials:** Stainless steel AISI302 and AISI303

 BK Medical ApS, Mileparken 34, 2730 Herlev, Denmark. T +45 4452 8100 F +45 4452 8199



powered by analogic 

BK Ultrasound
8 Centennial Drive
Peabody
MA 01960
USA
T +1 978-326-1300
bkultrasound.com

**North America
Sales & Service**
BK Ultrasound
8 Centennial Drive
Peabody
MA 01960
USA
T +1 978-326-1300
F +1 978-326-1399
bkultrasound.com

**Europe and Rest of World
Sales, Service & Design Center**
BK Ultrasound
Mileparken 34
2730 Herlev
Denmark
T +45 4452 8100
F +45 4452 8199
bkultrasound.com

**Asia
Sales & Service**
Analogic Medical Equipment
(Shanghai) Co., Ltd.
1377, Lan Dian Road
Pu Dong New District
Shanghai
China 201132
T +86 21 2089 0333
bkultrasound.com

**Canada
Design Center**
Ultrasonix Medical Corporation
130-4311 Viking Way
Richmond
BC V6V 2K9
Canada
T +1 866-437-9508
F +1 604-279-8559
bkultrasound.com