

## 18L5 Transducer

The 18L5 high frequency linear transducer is ideal for near field images and gives superb, detailed images of superficial structures.

- Superior nerve and needle visualization in the near field
- Activate the transducer and freeze, store and print images with one press of the integrated Smart™ button
- Ergonomic design improves operator comfort
- Perform quick, reliable puncture and biopsy procedures with our reusable needle guide
- Advanced transducer connector designed for noise reduction in the ultrasound image and one-handed operation
- Unique, fully-immersible transducer for easy sterilization



Fig. 1 18L5 transducer

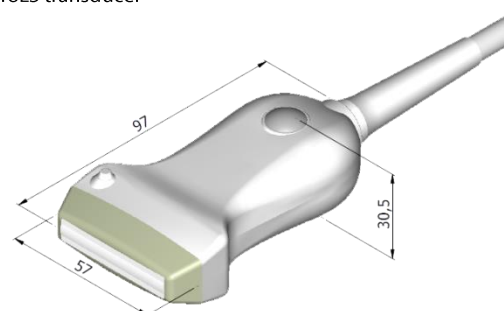


Fig. 2 Technical drawing and dimensions (mm)

## Specifications

<b>Transducer Name</b>		18L5
<b>Transducer Reference Type</b>		9070
<b>Compatible Ultrasound Systems</b>		bk3000, bk3500, bk5000 <sup>1</sup>
<b>Applications (Typical)</b>		Musculoskeletal, Small Organ (Small Parts), Peripheral Vessel (Peripheral Vascular)
<b>Basic Imaging Modes<sup>2</sup></b>		B, M, CFM, Doppler, Tissue Harmonic Imaging, Elastography
<b>Weight (Approximate)</b>	g	100
<b>Contact Surface (Overall)</b>	mm <sup>2</sup>	630
<b>Acoustic Aperture</b>	mm	38.4 x 3.5
<b>Number of Elements</b>		192
<b>Transverse Focal Length (Typical)</b>	mm	15
<b>Image Plane Focal Length</b>	mm	Variable
<b>Image Field</b>		Trapezoidal: 38.4 mm wide + expansion angle 2 x 15°
<b>Focal Range</b>	mm	5 - 60
<b>Frame Rate (Max)</b>	Hz	>150

<sup>1</sup> Use of 18L5 on the bk5000 has not been licensed by Health Canada.

<sup>2</sup> Not all systems support all imaging modes.

## Specifications

<p><b>OPERATIONAL FACILITIES</b> Built-in control button</p> <p><b>SAFETY</b> Designed and tested in accordance with current version of EN60601-1 (IEC60601-1), "Medical Electrical Equipment, Part 1". When used with BK Medical's systems, Type BF requirements are met.</p> <p><b>ENVIRONMENTAL</b> <b>Operating Pressure:</b> 700–1060 hPa (normal atmospheric pressure) <b>Operating Temperature:</b> +10 to +40 °C (+50 to +104 °F) <b>Storage Temperature:</b> -25 to +70 °C (-13 to +158 °F)</p> <p><b>REPROCESSING</b></p> <ul style="list-style-type: none"> <li>• The reprocessing temperature should not exceed +60 °C.</li> <li>• Complete details and procedures can be found in <i>Care and Cleaning</i>.</li> <li>• Follow manufacturer's instructions for use.</li> </ul>	<p><b>VALIDATED CLEANING AND DISINFECTION</b> For all cleaning and disinfection methods except wiping, plug must be covered.</p> <p><b>Manual Cleaning</b> 3E-Zyme™</p> <p><b>Manual Disinfection</b> Ethanol 70% (wiping) Korsolex® Basic Steris® Resert Tristel® Fuse For Instruments</p> <p><b>Automatic Disinfection<sup>1</sup></b> MEDIVATORS® Advantage® Plus, with: <ul style="list-style-type: none"> <li>• MEDIVATORS Intercept® Detergent</li> <li>• MEDIVATORS Rapicide® PA</li> <li>• 70% Isopropanol Flush</li> </ul> </p> <p><b>VALIDATED STERILIZATION<sup>1</sup></b> <b>Immersion Methods (plug must be covered)</b> STERIS® SYSTEM 1®<sup>2</sup>, SYSTEM 1E®, SYSTEM 1 Plus<sup>2</sup>, SYSTEM 1 Express</p> <p><b>Gas Processes (plug must be uncovered)</b> STERIS® V-Pro™ STERRAD NX™ and 100NX Systems STERRAD 100S and 200 Systems</p>	<p><b>POWER SUPPLY</b> Internally from system</p> <p><b>CABLE LENGTH</b> 2.2 m (7.3 ft)</p> <p><sup>1</sup> Automated reprocessing methods validated for 100 cycles. <sup>2</sup> STERIS SYSTEM 1® is not market cleared in the USA.</p>
----------------------------------------------------------------------------------------------------------------------------------------------------------------------------------------------------------------------------------------------------------------------------------------------------------------------------------------------------------------------------------------------------------------------------------------------------------------------------------------------------------------------------------------------------------------------------------------------------------------------------------------------------------------------------------------------------------------------------------------------------------------------------------------------------------------------------	------------------------------------------------------------------------------------------------------------------------------------------------------------------------------------------------------------------------------------------------------------------------------------------------------------------------------------------------------------------------------------------------------------------------------------------------------------------------------------------------------------------------------------------------------------------------------------------------------------------------------------------------------------------------------------------------------------------------------------------------------------------------------------------------------------------------------------------------------------------------------------------------------------------	------------------------------------------------------------------------------------------------------------------------------------------------------------------------------------------------------------------------------------------------------

## Ordering Information

<p><b>ACCESSORIES AVAILABLE</b></p> <p>KE4300: Carrying Case</p> <p>UA1414: Leakage Testing Kit</p> <p>UA1251: Reusable puncture attachment (variable bore diameter of 0.6 to 3.4 mm; angle of insertion of 30°, 45° and 60° with respect to the long axis of the transducer)</p>	<p><b>TRANSDUCER COVERS</b></p> <p>UA0004: Intraoperative cable covers, sterile, latex-free, 7.6 x 244 cm (pack of 24)</p> <p>UA0009: CIV-Flex™ cover, sterile, latex-free, 8.9 x 61 cm (pack of 24)</p>	
-----------------------------------------------------------------------------------------------------------------------------------------------------------------------------------------------------------------------------------------------------------------------------------	----------------------------------------------------------------------------------------------------------------------------------------------------------------------------------------------------------	--

## Accessories


**Reusable Needle Guide UA1251**



- **Dimensions:** 48 x 50 x 40 mm
- **Weight:** 50 g
- **Material:** Stainless steel AISI303

 BK Medical ApS, Mileparken 34, 2730 Herlev, Denmark. T +45 4452 8100 F +45 4452 8199



powered by analogic 

**BK Ultrasound**  
8 Centennial Drive  
Peabody  
MA 01960  
USA  
T +1 978-326-1300  
bkultrasound.com

**North America  
Sales & Service**  
BK Ultrasound  
8 Centennial Drive  
Peabody  
MA 01960  
USA  
T +1 978-326-1300  
F +1 978-326-1399  
bkultrasound.com

**Europe and Rest of World  
Sales, Service & Design Center**  
BK Ultrasound  
Mileparken 34  
2730 Herlev  
Denmark  
T +45 4452 8100  
F +45 4452 8199  
bkultrasound.com

**Asia  
Sales & Service**  
Analogic Medical Equipment  
(Shanghai) Co., Ltd.  
1377, Lan Dian Road  
Pu Dong New District  
Shanghai  
China 201132  
T +86 21 2089 0333  
bkultrasound.com

**Canada  
Design Center**  
Ultrasonix Medical Corporation  
130-4311 Viking Way  
Richmond  
BC V6V 2K9  
Canada  
T +1 866-437-9508  
F +1 604-279-8559  
bkultrasound.com